



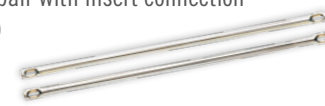
ACCESSORIES

To keep high level of reliability and resistance to break-in attempts, we recommend to combine the following accessories , from Mottura catalogue:

art 93.322 bar pair (cm 101,5 + 127) with threaded connection **M8**



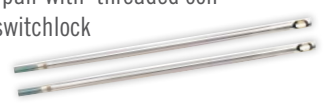
art 93.323 bar pair with insert connection (n° 2 of cm 62)



art 93.324 bar pair with threaded connection **M6** for switchlock



art 93.325 bar pair with threaded connection **M8** for switchlock



art 93.335 bar with insert connection cm 40



art 94.920 Zamak reinforcement Defender slot mm 3,5 o 5mm



art 94.922 Steel Defender (53HRC) slot mm 3,5 o 5mm



art 94.411 striker plate for 47.505/506



art 94.412 striker plate for 96.506



art 95.420 vertical escutcheon



art 99.261/40 fixing screws



art 99.520 handle



art 94.11101 Spacers mm 2,5 for Defender
art 94.11101-1 spacers mm1,0 for Defender



www.mottura.it



SHARK

MADE IN ITALY

LOCKS FOR SECURITY GRATES AND GATES
WITH DOUBLE HOOKED DEADBOLT

SHARK

LOCKS FOR SECURITY GRATES AND GATES
WITH DOUBLE HOOKED DEADBOLT

SHARK is the new line of cylinder lock designed to increase the security of grates, gates and steel hardware, thanks to the double hooked deadbolt made of hardened steel with anti-lift device.

The hardware with SHARK correctly installed is compliant to the certification in security class 3 according to the Standard UNI EN 1627 .



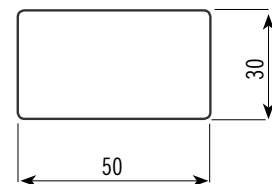


SHARK

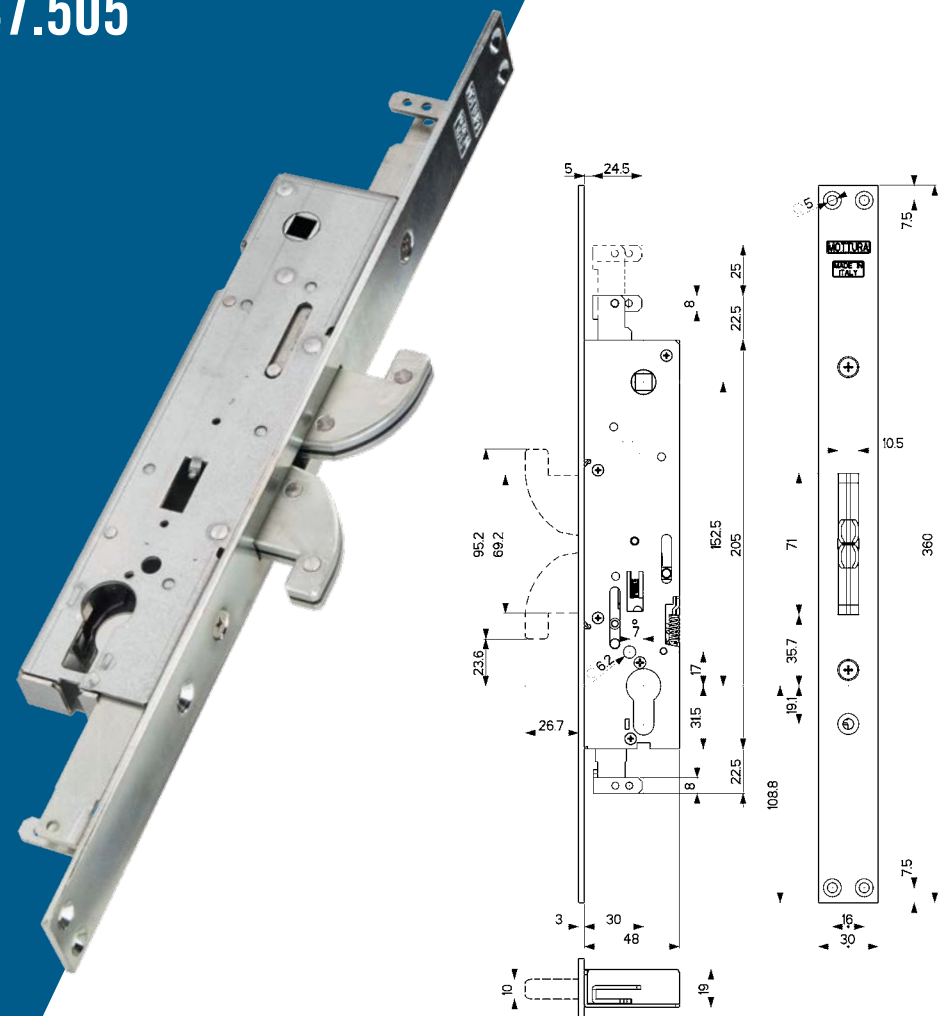
CYLINDER LOCKS WITH DOUBLE HOOKED DEADBOLT AND ANTI-LIFT DEVICE, SUITABLE FOR ANY TYPE OF STEEL HARDWARE

MAIN FEATURES

- Double hooked deadbolt made of hardened steel, with automatic anti-lift device
- On request with **T** "Extraction protection system" against forced extraction of the cylinder
- Cylinder can be operated when the product is locked
- Installation of cylinder with fixing screw
- Bar travel mm 25
- Deadbolt travel mm 26
- Bars with threaded or mortice connection M6/M8
- Galvanized face-plate and striker
- Locks are reversible
- It is recommended to use Champions cylinders and Mottura Defender protections. **Advisable art. 94.922 in hardened steel (53HRC)**
- Suitable for profiles with dimensions 50 x 30 as a minimum



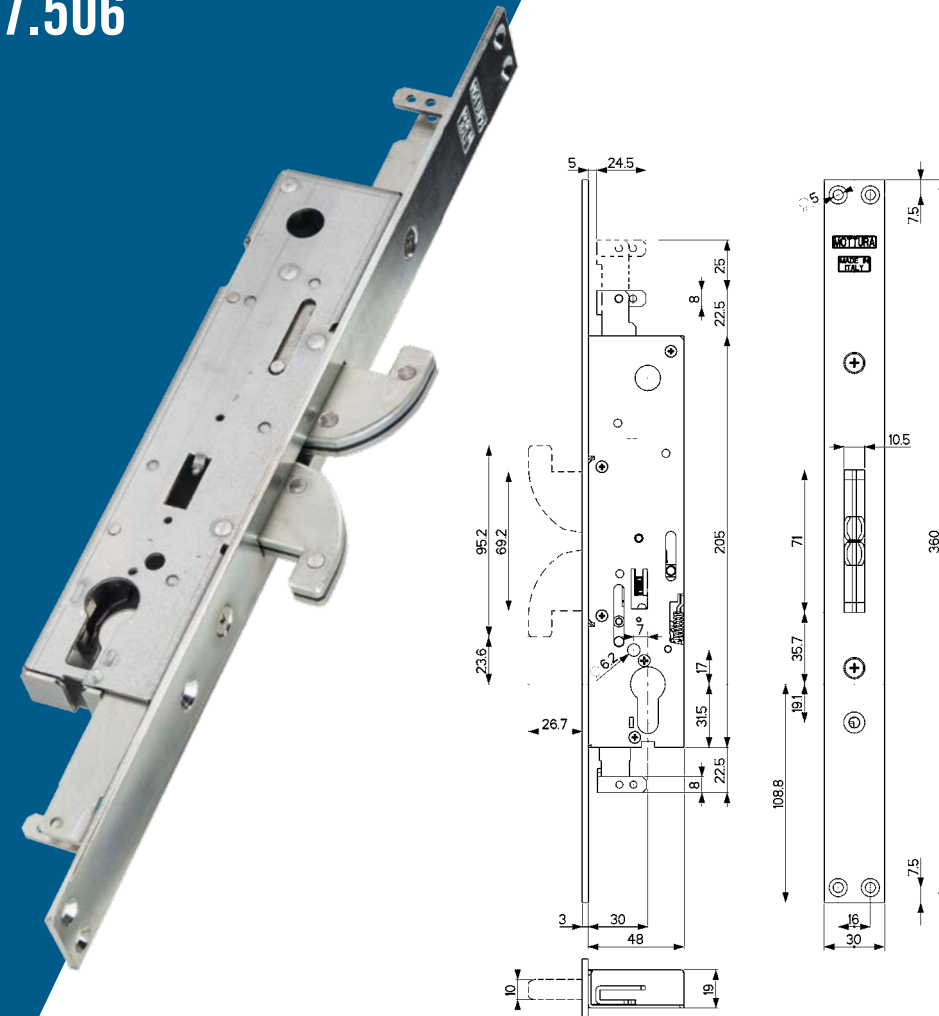
47.505



ART. 47.505

- Three-point locking with pass-through screws, not included
- Operation of bolts and bars by means of handle square
- Locked with cylinder
- It is recommended to use Defender, art 94.422
- Key and handle backset 30mm
- Installation of cylinder with fixing screw
- Striker plate art 94.411 dim 170 x 30 x 3 mm

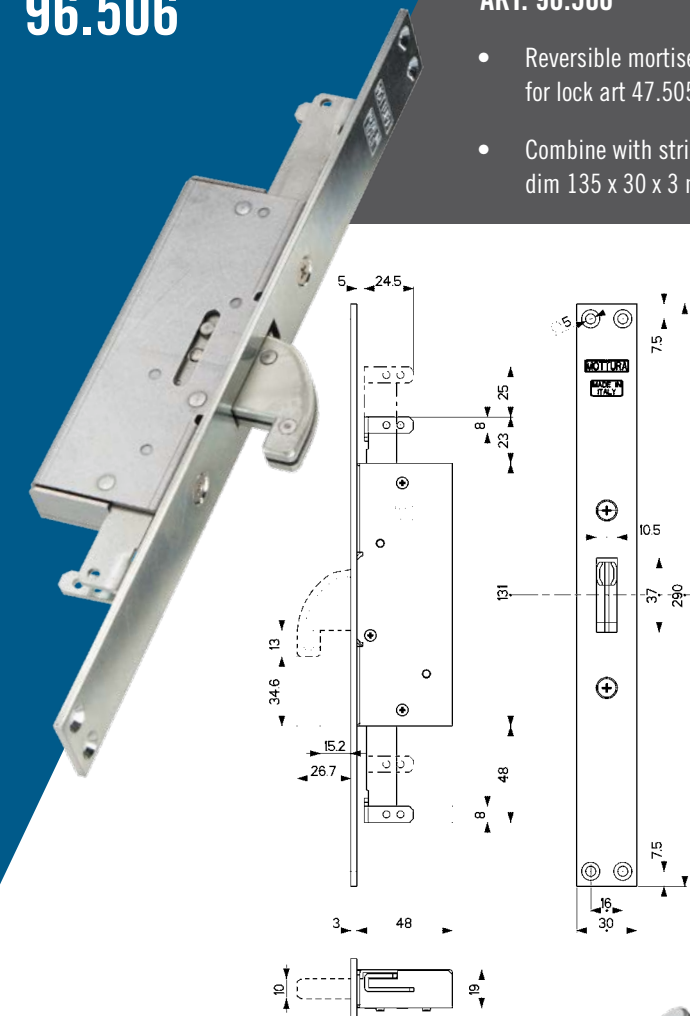
47.506



ART. 47.506

- Three-point locking with double hooked deadbolt
- Operation of bolts and bars by CYLINDER
- Cylinder fastening with screw
- It is recommended to use Defender, art 94.422 with pass-through screws, not included
- Key and handle backset 30mm
- Striker plate art 94.411 dim 170 x 30 x 3 mm

96.506

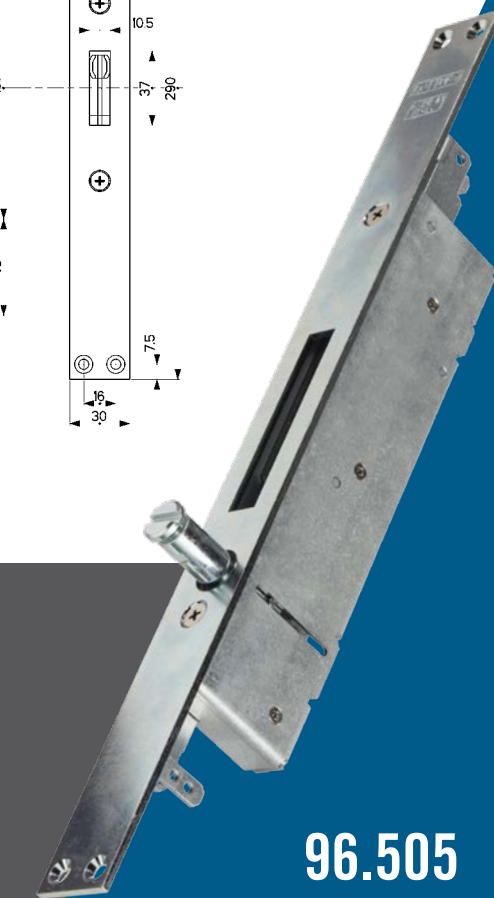


ART. 96.506

- Reversible mortise-type switchlock for lock art 47.505/506
- Combine with striker plate, art 94.412 dim 135 x 30 x 3 mm

ART. 96.505

- Mortise type locking for second wing (for art 47505/506)
- Powered by PIN screw placed on the faceplate
- Bar travel mm 25



96.505