

# 36

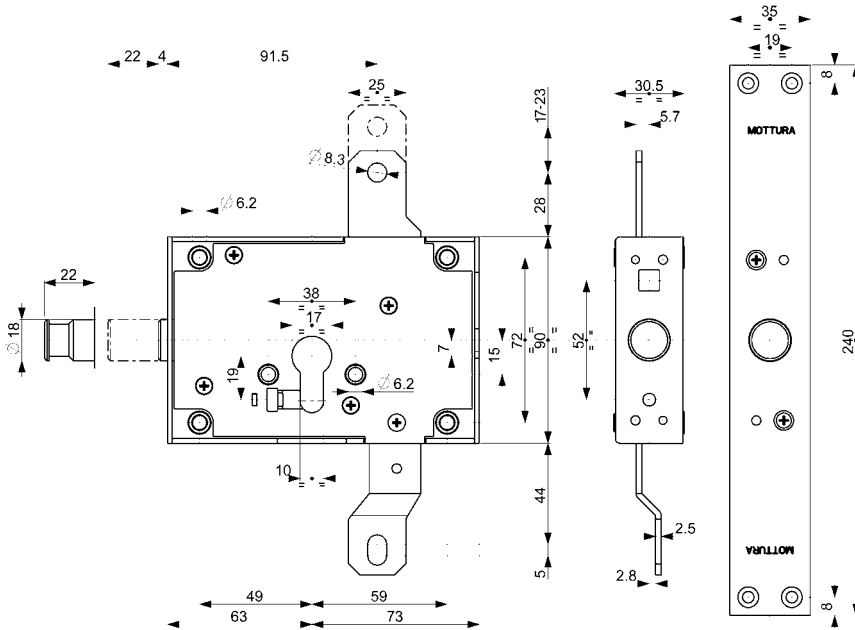
## ASTABLOCK® FOR ARMoured DOORS



safeguarding your security

MADE  
IN  
ITALY

## 36.258



### Characteristics

- Additional security locking for any armoured doors lock, with bar travel between 17 and 23 mm
- Vertical locking (art. 36257)
- Vertical and side locking (art. 36258/36259)
- Backset 63 mm
- Upper bar travel 17/23 mm
- Double fixing system of the cylinder
- The cylinder, external reinforcement and other assembly accessories are supplied separately
- For added security we recommend using CHAMPIONS® cylinders and reinforcement Defender® Mottura (see Chapter 94)

**All items are supplied right-hand and left-hand, upper and lower (specify in the order)**

Supplied with:

- screws and plate for fixing cylinder art. 99066
- bar connection pin art. 99197

**on request:**

- Patented burglar-proof device (cylinder extraction) **T** (add the letter T to the lock code)

**BARS NOT INCLUDED**

It is RECOMMENDED to use CHAMPIONS® security cylinders



**T** **ON REQUEST**  
Lock with forced cylinder extraction protection system

**RIM LOCK**

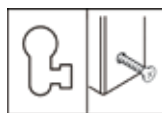
**MORTISE-TYPE**

## 36.257

**N - standard**

**T - with burglar-proof system**

**Vertical locking**  
Bars **NOT** included.



## 36.258



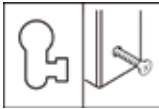

## 36.258/I



**N - standard**

**T - with burglar-proof system**


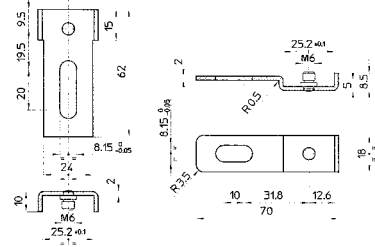
**Vertical and side locking**  
Side bolt 22 mm travel  
Bars **NOT** included.


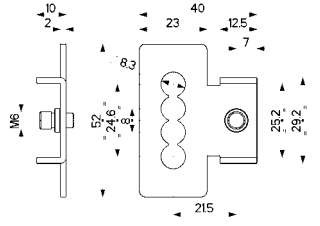


RIM LOCK			MORTISE-TYPE
	<b>36.259</b>		<b>36.259/I</b>
	N - standard		
	T - with burglar-proof system 		
	<p><b>Vertical and side locking</b> Side bolt 22 mm travel with half-open function on the first turn (with main lock unlocked) and locking on the second turn. The bars and door holder <b>NOT</b> are included.</p> <div style="text-align: center;">  </div>		
			

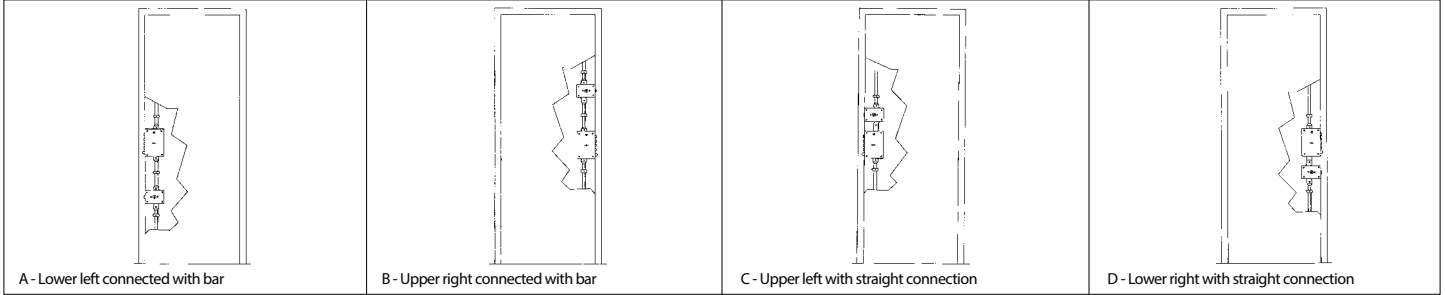
<b>94.399D/S</b>		<b>94.400D/S</b>	
<p>Connecting plate for fitting art. 49.120 (XCode) on standard 52.571 locks etc. Dimensions 134x204 mm. The item is supplied left or right-hand (specify in the order)</p>		<p>Connecting plate for fitting art. 49.120 (XCode) on locks with upper latchbolt 52.505 etc. including bar shift plate. Dimensions 134x195 mm. The item is supplied left or right-hand (specify in the order)</p>	

<b>99.197</b>	
<p>Bar connector pin for "Astablock" <b>Package of 10</b></p>	

<b>99.251</b>		
<p>Bar shift plate/extension to connect Astablock, XCode to locks with 40 mm bar travel <b>Package of 10</b></p>		

<b>99.253</b>		
<p>Bar shift plate/extension to connect Astablock, XCode to locks series 50.555 - 85.555 <b>Package of 10</b></p>		

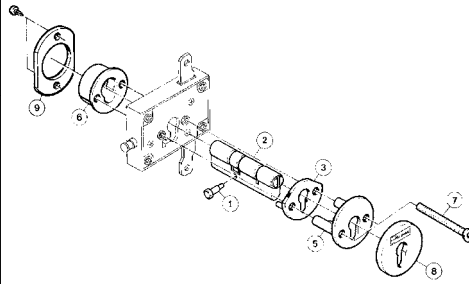
## EXAMPLES OF INSTALLATION



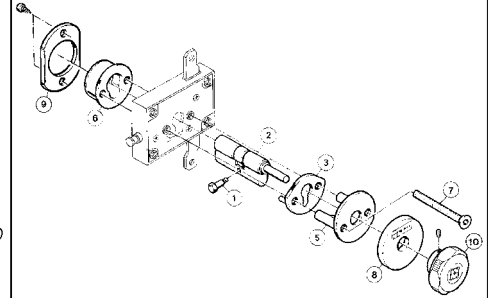
## EXTERNAL PROTECTION

The following parts are supplied separately (not included in package):  
 cylinder (2), internal rose (5), external reinforcement (6), through screws (7), escutcheons (8) and (9), knob (10).  
 The same installation sequence applies for ASTABLOCK with double cylinder (Example A) and with provision for knob (Example B)

### DOUBLE CYLINDER



### CYLINDER WITH PROVISION FOR KNOB



## FOR ACCESSORIES AND SPARE PARTS SERIES 36 REFER TO



BARS

# 93

# 94

FACE PLATES  
STRIKER PLATE  
DEFENDER®



ESCUTCHEONS

# 95

# 99

VARIOUS  
ACCESSORIES

