

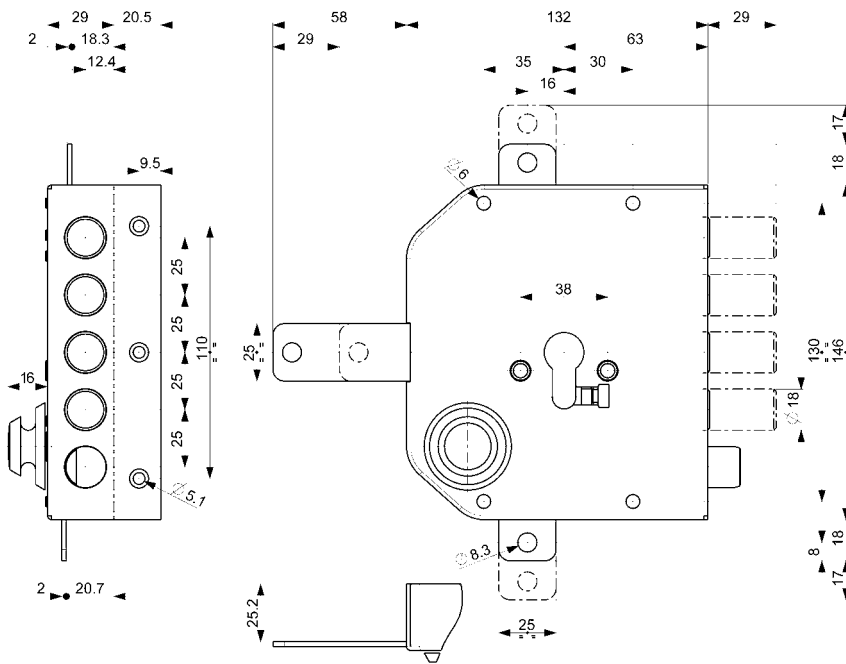
# 38

## RIM LOCKS FOR EUROPROFILE CYLINDER



MADE  
IN  
ITALY

## 38.650



### Characteristics

- Side, Three-points or five-points locks
- 63 mm cylinder backset
- Cylinder fastening with Mottura "fitting"
- 29 mm bolts travel
- All items are supplied left-hand and right-hand (specify in the order)
- Finish: Brown enamelled

**Important:** when replacing the pump locks or double-bitted locks with art. 38.640 and art. 38.650, switchlock art. 96.145 must be used instead of art. 96.143. For characteristics and technical drawings see chapter 96.

The use of the Defender® kit is recommended for increased protection of the lock and the cylinder. See chapter 94

**BARS, SWITCHLOCKS, CYLINDERS AND OTHER ACCESSORIES ARE NOT INCLUDED.**

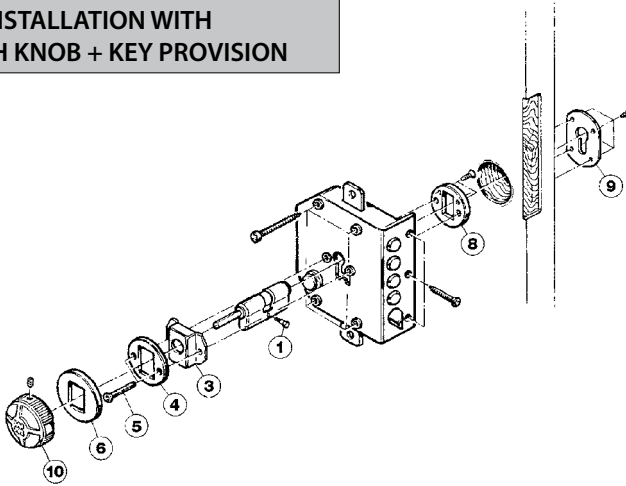
### on request:

- Patented burglar-proof device (cylinder extraction) **T** (add the letter T to the lock code)

It is RECOMMENDED to use CHAMPIONS® security cylinders



### EXAMPLE OF INSTALLATION WITH CYLINDER WITH KNOB + KEY PROVISION



### Side locks - art. 38600/610

- cylinder fastener details 1-3-4-5-6-8
- n. 1 escutcheon (9) art. 95297/B
- n. 1 striker plate art. 94122
- screws and small parts

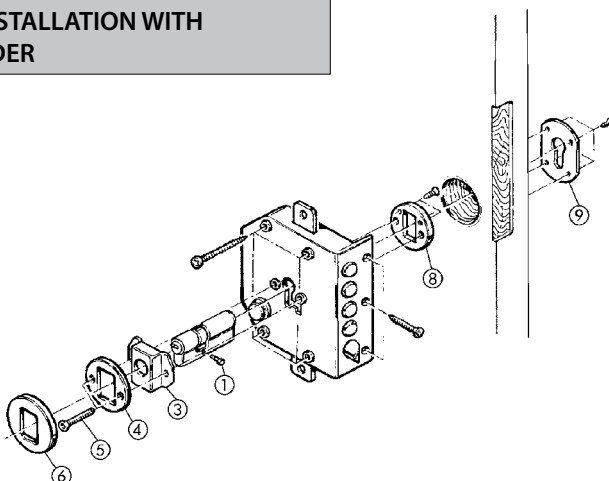
### Three-points locks - art. 38620/630

- cylinder fastener details 1-3-4-5-6-8
- n. 1 escutcheon (9) art. 95297/B
- n. 1 striker plate art. 94122
- n. 2 bar collars art. 99152
- n. 1 clasp art. 99153
- n. 1 floor striker plate art. 99151
- screws and small parts

### Five-points locks - art. 38640/650

- cylinder fastener details 1-3-4-5-6-8
- n. 1 escutcheon (9) art. 95297/B
- n. 1 striker plate art. 94122
- n. 2 bar collars art. 99152
- n. 1 clasp art. 99153
- n. 1 floor striker plate art. 99151
- screws and small parts

### EXAMPLE OF INSTALLATION WITH DOUBLE CYLINDER









To be ordered separately:

- cylinder
- Defender® cylinder external protection in replacement of the fixing plate (8)
- spacer for defender art. 99256
- bars and switchlock



**ON REQUEST**

Lock with forced cylinder extraction protection system

<p><b>38.600..</b></p> <p>Version</p> <p>N - standard</p> <p>T - burglar-proof </p> <p>Side lock</p>		
<p><b>38.610..</b></p> <p>Version</p> <p>N - standard</p> <p>T - burglar-proof </p> <p>Side lock with latch bolt</p>		
<p><b>38.620..</b></p> <p>Version</p> <p>N - standard</p> <p>T - burglar-proof </p> <p>Three-points Bar travel 17 mm</p>	<p>Bars <b>NOT</b> included</p> 	
<p><b>38.630..</b></p> <p>Version</p> <p>N - standard</p> <p>T - burglar-proof </p> <p>Three-points with latchbolt Bar travel 17 mm</p>	<p>Bars <b>NOT</b> included</p> 	
<p><b>38.640..</b></p> <p>Version</p> <p>N - standard</p> <p>T - burglar-proof </p> <p>Five-points Bar travel 17 mm Five-point travel 29mm</p>	<p>Bars and switchlocks <b>NOT</b> included</p> 	
<p><b>38.650..</b></p> <p>Version</p> <p>N - standard</p> <p>T - burglar-proof </p> <p>Five-points with latchbolt Bar travel 17 mm Five-point travel 29mm</p>	<p>Bars and switchlocks <b>NOT</b> included</p> 	

<b>95.442</b>	
<b>Finish</b>	
Anod. bronze	
<p>Internal escutcheon <b>130 x 150 mm</b> complete with screws For series 38 locks with latchbolt. <b>Package of 10</b></p>	

## FOR ACCESSORIES AND SPARE PARTS SERIES 38 REFER TO



BARS

# 93

# 94

FACE PLATES  
STRIKER PLATES



ESCUTCHEONS

# 95

# 96

SWITCHLOCKS



VARIOUS  
ACCESSORIES

# 99