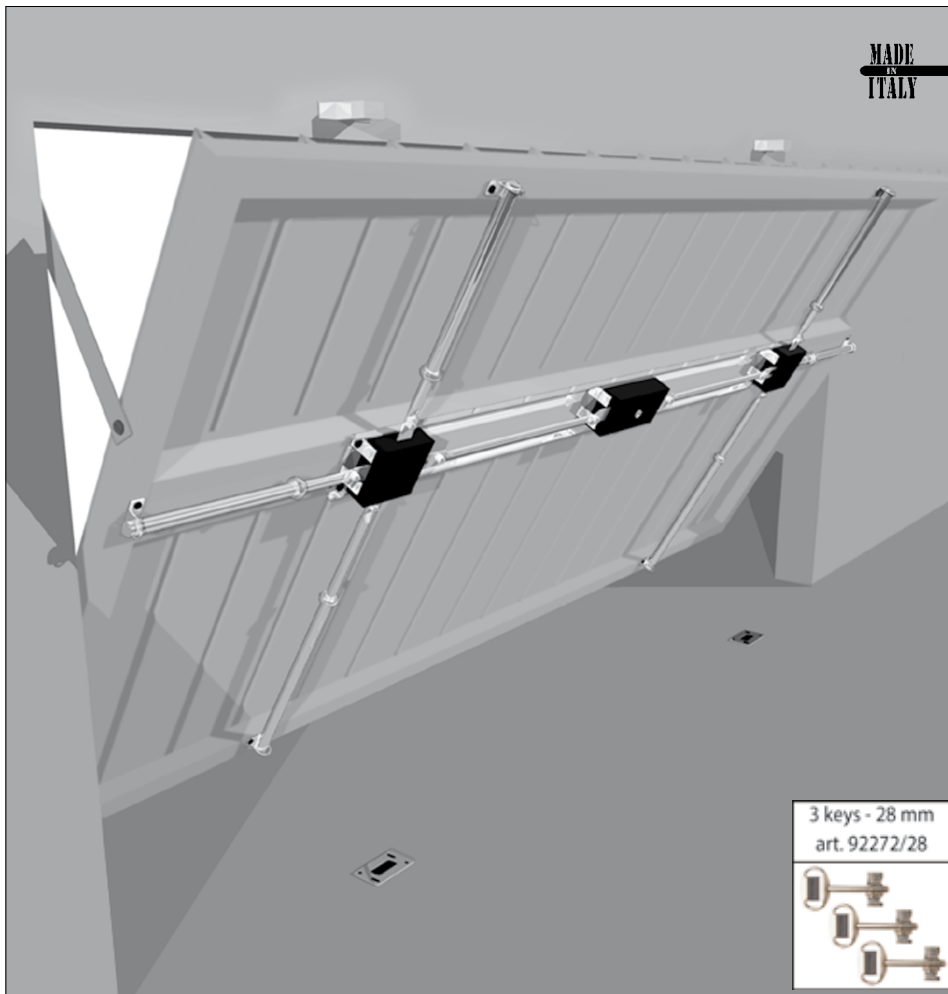


# 45

## LOCKS FOR OVERHEAD DOORS AND SHUTTERS

RIM  
LOCKS





### Characteristics

Locks designed to offer specific solutions for locking large-sized doors. Especially recommended for overhead garage doors.

Also available in 2 kits including all accessories for installation (Art. 45.1170 KIT and Art. 45.1200 KIT).

- Models with 2, 4 and 6 locking points
- Locking mechanism with pressure cylinder with 8 oscillating levers
- External reinforcement in high-strength sintered material
- Opens from inside with 8 mm square knob; for correct operation knob Art. 99502 is recommended (see chapter 99)
- Finish: Zinc-plated only

Supplied with :

3 keys, 28 mm stem, Art. 92272/28 and numbered owner's card in sealed envelope.

**on request** the locks can be supplied with:

- 15 mm stem keys art. 92272/15
- 50 mm stem keys art. 92272/50

3 keys - 28 mm  
art. 92272/28



15 mm, Art. 92272/15



50 mm, Art. 92272/50



## 45.1170

**Finish**

Zinc-plated

### Horizontal

width 1700 mm - height 100 mm  
4 vertical and 2 horizontal locking points  
Vertical bar travel 28 mm - horizontal 36 mm  
Supplied with:

- 1 external dished escutcheon, Art. 95307
- 2 adjustable lower striker plates, Art. 94304

Other accessories **NOT** included



## 45.1200

**Finish**

Zinc-plated

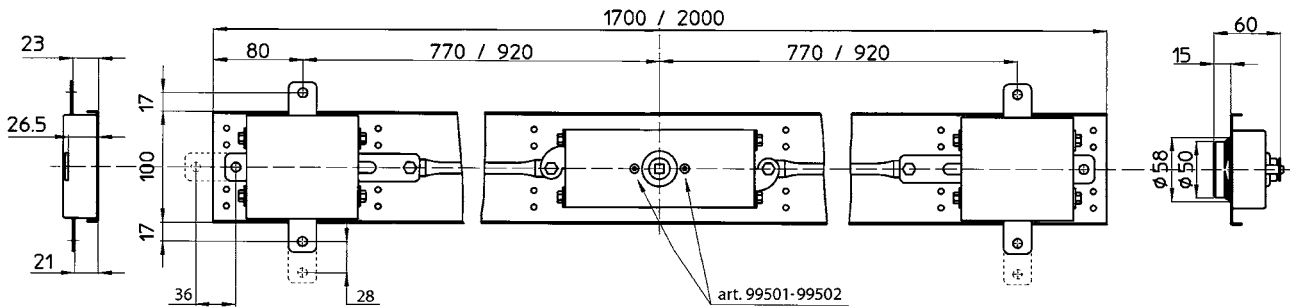
### Horizontal

width 2000 mm - height 100 mm  
4 vertical and 2 horizontal locking points  
Vertical bar travel 28 mm - horizontal 36 mm  
Supplied with:

- 1 external dished escutcheon, Art. 95307
- 2 adjustable lower striker plates, Art. 94304

Other accessories **NOT** included





## 45.1170 KIT

**Kit complete**

with accessories for installation, including:

- 1 lock, Art. 45.1170
- 3 external plates, Art. 94022
- 4 bars, Art. 93294
- 4 bar collars, Art. 99152

- 2 upper clasps, Art. 99153
- 2 striker plates, Art. 94304
- 1 escutcheon, Art. 95301
- 3 keys, 28 mm. stem, Art. 92272/28 and numbered owner's card in sealed envelope

## 45.1200 KIT

**Kit complete**

with accessories for installation, including:

- 1 lock, Art. 45.1200
- 3 external plates, Art. 94022
- 4 bars, Art. 93294
- 4 bar collars, Art. 99152

- 2 upper clasps, Art. 99153
- 2 striker plates, Art. 94304
- 1 escutcheon, Art. 95301
- 3 keys, 28 mm. stem, Art. 92272/28 and numbered owner's card in sealed envelope

## 99.550

Finish

Black enamelled



Covering for Art. 45.1170 - Optional: to be ordered separately

## 99.551

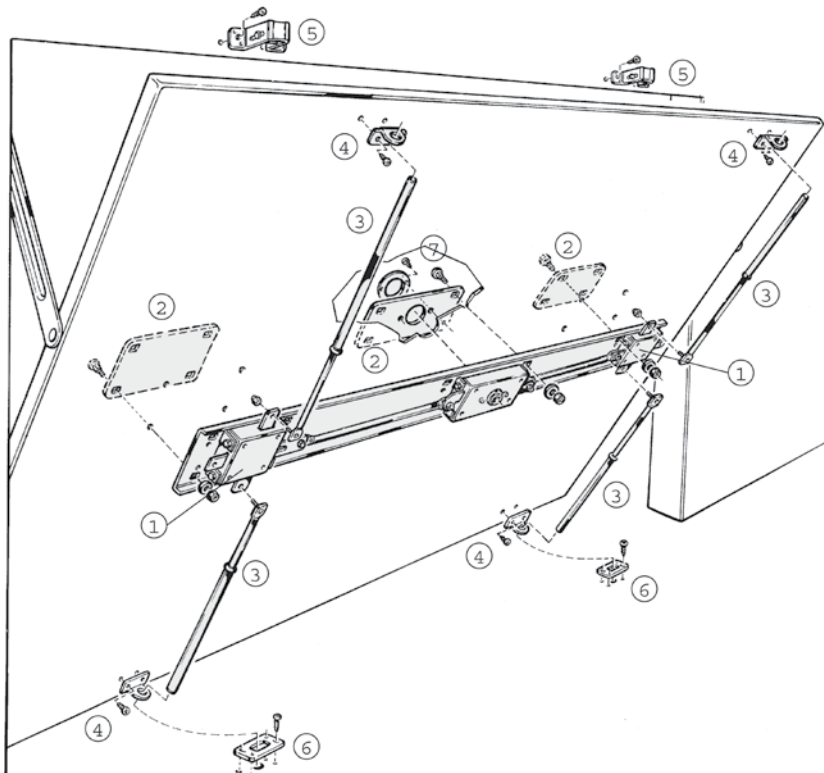
Finish

Black enamelled



Covering for art. 45.1200 - Optional: to be ordered separately

## EXAMPLE OF INSTALLATION



- 1 - lock
- 2 - 3 external plates
- 3 - 4 bars
- 4 - 4 bar collars
- 5 - 2 clasps
- 6 - 2 striker plates
- 7 - 1 escutcheon

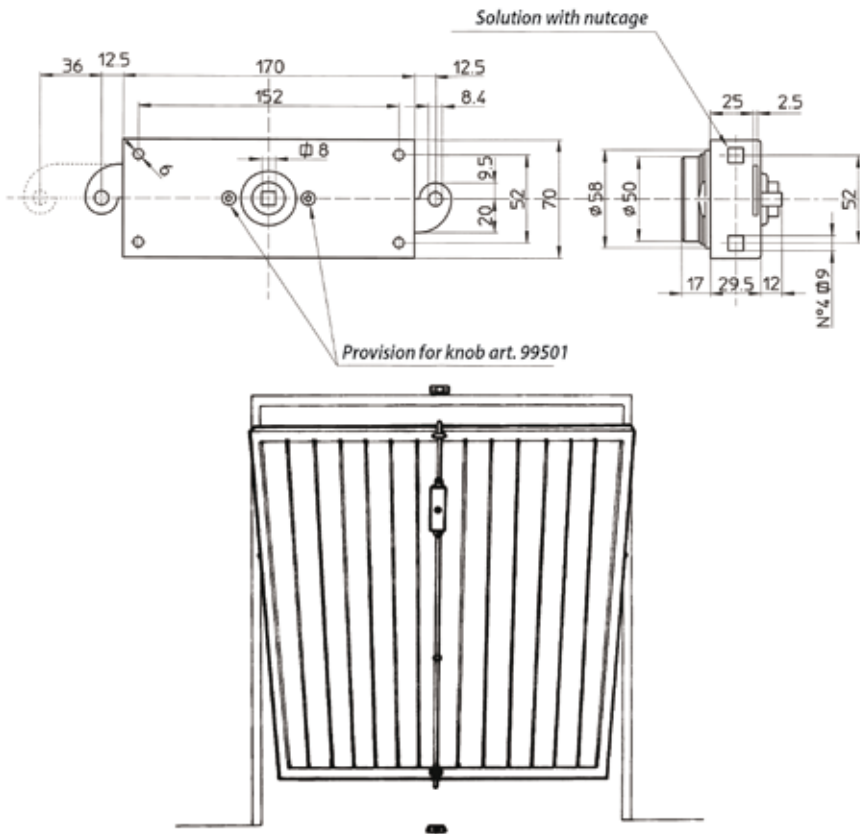
**Optional**

- Covering Art. 99.550 (for Art. 45.1170), and Art. 99.551 (for Art. 45.1200)
- Bars Art. 93.140 Art. 93.243

Door shown is for purposes of example only

## 45.750

MADE IN ITALY



### Characteristics

- Locks suitable for overhead garage doors .
- Vertical
  - Bar travel 36 mm
  - Internal knob opening  $\square$  8
  - Single finish: Zinc-plated

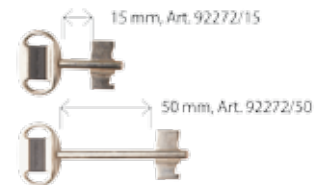
Supplied with :

- 3 keys 28 mm stem art. 92272/28
- numbered 1 owner's card

### BARS NOT INCLUDED

on request the locks can be supplied with:

- 15 mm stem keys art. 92272/15
- 50 mm stem keys art. 92272/50



## 45.750

Finish

Zinc-plated

Vertical

Bar travel 36 mm

This lock is interchangeable with the majority of existing overhead doors locks.

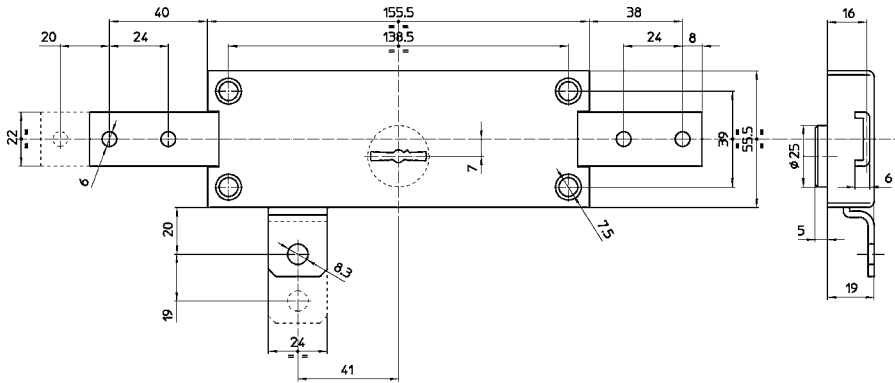
Bars and accessories **NOT** included

3 keys - 28 mm  
art. 92272/28



## 45.853

MADE  
IN  
ITALY



### Characteristics

- Side, central or three-point locks with left-hand and/or right-hand locking
- Bar travel 20 mm
- Internal opening with key
- Single finish: Zinc-plated

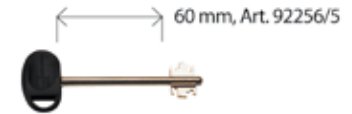
Supplied with :

- 2 keys 36 mm stem art. 92292/5
- 1/2 fixing pins

### BARS NOT INCLUDED

on request the locks can be supplied with:

- keys with 60 mm stem, art. 92256/5



## 45.850

Bars **NOT** included

Finish

Zinc-plated

### Central

Bar travel 20 mm  
2 bar fixing pins (Ø9X14 mm)  
right and left

2 keys - 36 mm  
art. 92292/5



## 45.851

Bars **NOT** included

Finish

Zinc-plated

### Central

with folded bar connectors  
Bar travel 20 mm  
2 bar fixing pins (Ø9X14 mm)  
right and left

2 keys - 36 mm  
art. 92292/5



## 45.853

Bars **NOT** included  
Bar art. 93.089 on request

Finish

Zinc-plated

### Three-point

Bar travel 20 mm  
2 bar fixing pins (Ø9X14 mm)  
right and left

2 keys - 36 mm  
art. 92292/5



## 45.854

Bars **NOT** included  
Bar art. 93.089 on request

Finish

Zinc-plated

### Three-point

with folded bar connectors  
Bar travel 20 mm  
2 bar fixing pins (Ø9X14 mm)  
right and left

2 keys - 36 mm  
art. 92292/5





<b>45.856/D</b>	Bars <b>NOT</b> included		
Finish Zinc-plated		2 keys - 36 mm art. 92292/5	
<b>Right side lock</b> Bar travel 20 mm 1 bar fixing pins (Ø9X14 mm)			
<b>45.856/S</b>	Bars <b>NOT</b> included		
Finish Zinc-plated		2 keys - 36 mm art. 92292/5	
<b>Right side lock</b> with folded bar connector Bar travel 20 mm 1 bar fixing pins (Ø9X14 mm)			
<b>45.857/D</b>	Bars <b>NOT</b> included		
Finish Zinc-plated		2 keys - 36 mm art. 92292/5	
<b>Right side lock</b> with folded bar connector Bar travel 20 mm 1 bar fixing pins (Ø9X14 mm)			
<b>45.857/S</b>	Bars <b>NOT</b> included		
Finish Zinc-plated		2 keys - 36 mm art. 92292/5	
<b>Left side lock</b> with folded bar connector Bar travel 20 mm 1 bar fixing pins (Ø9X14 mm)			
<b>45.859</b>	Bars <b>NOT</b> included		
Finish Zinc-plated		2 keys - 36 mm art. 92292/5	
<b>Right+left pair</b> Bar travel 20 mm 2 keys with identical coding (KA) in total 2 bar fixing pins (Ø9X14 mm) right and left			
<b>45.860</b>	Bars <b>NOT</b> included		
Finish Zinc-plated		2 keys - 36 mm art. 92292/5	
<b>Right+left pair</b> with folded bar connectors Bar travel 20 mm 2 keys with identical coding (KA) in total 2 bar fixing pins (Ø9X14 mm) right and left			

## FOR ACCESSORIES AND SPARE PARTS SERIES 45 REFER TO

	KEYS	<b>92</b>	<b>93</b>	BARS	
	STRIKER PLATES	<b>94</b>	<b>95</b>	ESCUTCHEONS	
	VARIOUS ACCESSORIES	<b>99</b>			